


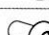



Technical data

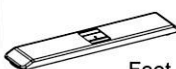


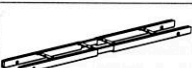




Column qty	2
Max Loading capacity	70KG
Height range	685-1165mm
Length range	1100-1800mm

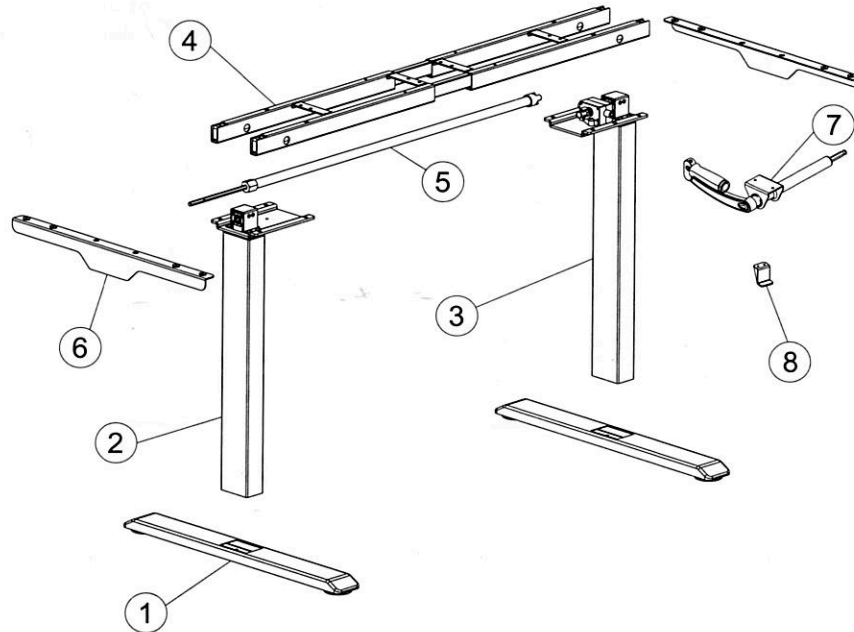
Accessory list

Attention: The drawings below are only for reference which might be slightly different from the actual object, please in kind prevail. Any tools missing or installation problems, please contact the customer service firstly.

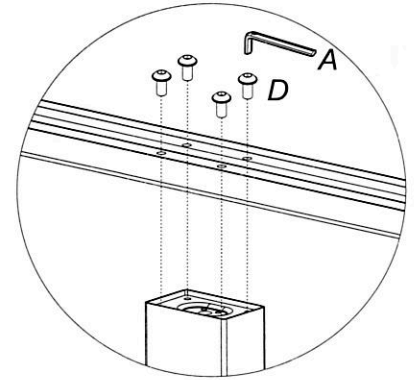
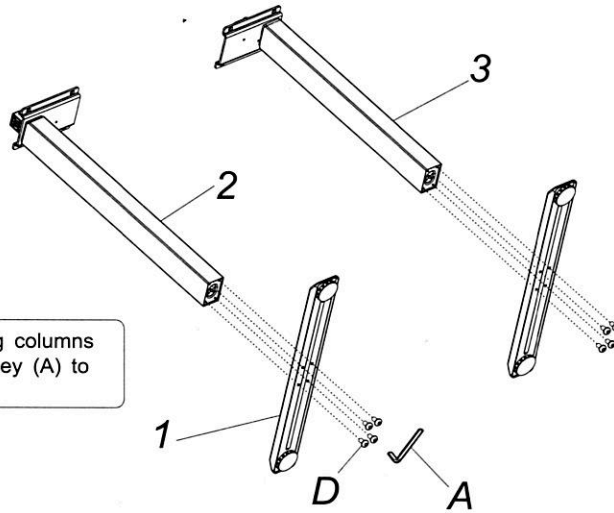
No.	Image	Spec	Qty
A		Wrench 2.5x2.5mm Wrench 4x4mm	1
B		M6	4
C		M6	8
D		M6	8
E		St4.2	16
F		Nut Wrench	1

Component list

No.	Part	Qty	No.	Part	Qty
①	 Feet	2	②	 Left Column	1
③	 Right Column	1	④	 Supporting Beam	1
⑤	 Connecting Rod	1	⑥	 Side Bracket	2
⑦	 Crank Handle	1	⑧	 Crank Handle Bracket	1



Step 1

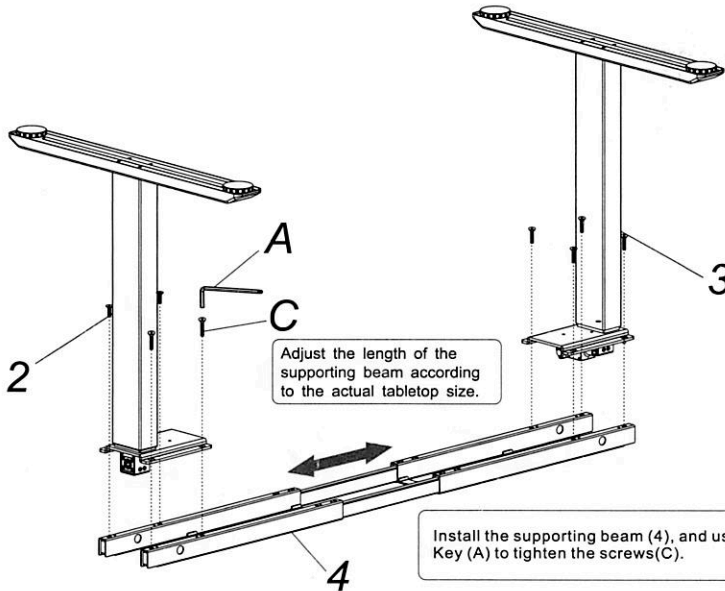


Install the feet (1) to the lifting columns (2)&(3), and use 4mm Allen Key (A) to tighten the screws(D).

Step 2



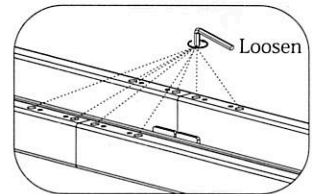
1



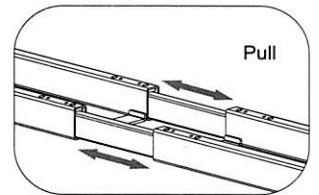
Adjust the length of the supporting beam according to the actual tabletop size.

Install the supporting beam (4), and use 4x4mm Allen Key (A) to tighten the screws(C).

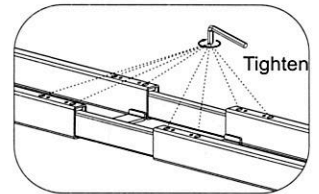
2



Loosen

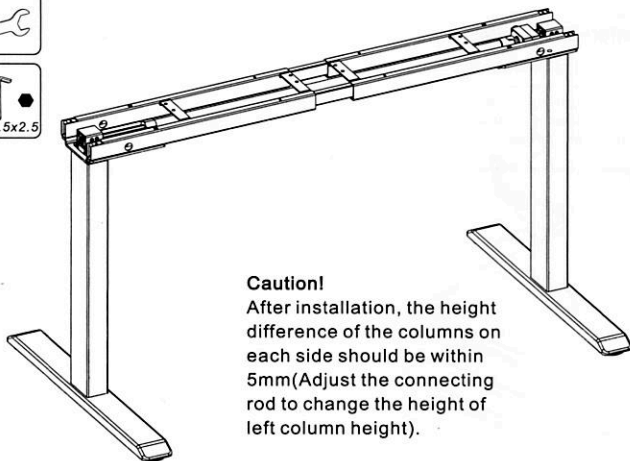


Pull



Tighten

Step 3

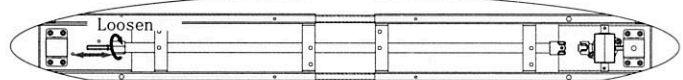


Caution!

After installation, the height difference of the columns on each side should be within 5mm(Adjust the connecting rod to change the height of left column height).

1

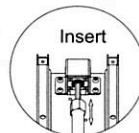
Use the nut wrench(F) to loosen the screws on the connecting rod(5), so you can pull out the shaft.



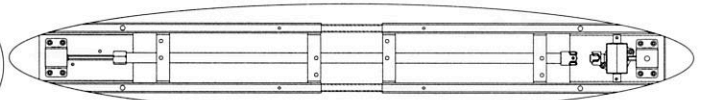
Loosen

2

Insert the shaft to the gear drive of the left column (2) as shown.

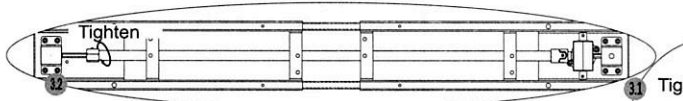


Insert

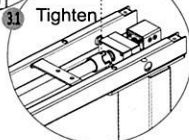


3

Insert the shaft to the gear drive of the right column (3), tighten the screw with 2.5mm Allen Key (A), then tighten the screw of the connecting rod (5) with nut wrench (F) as shown.



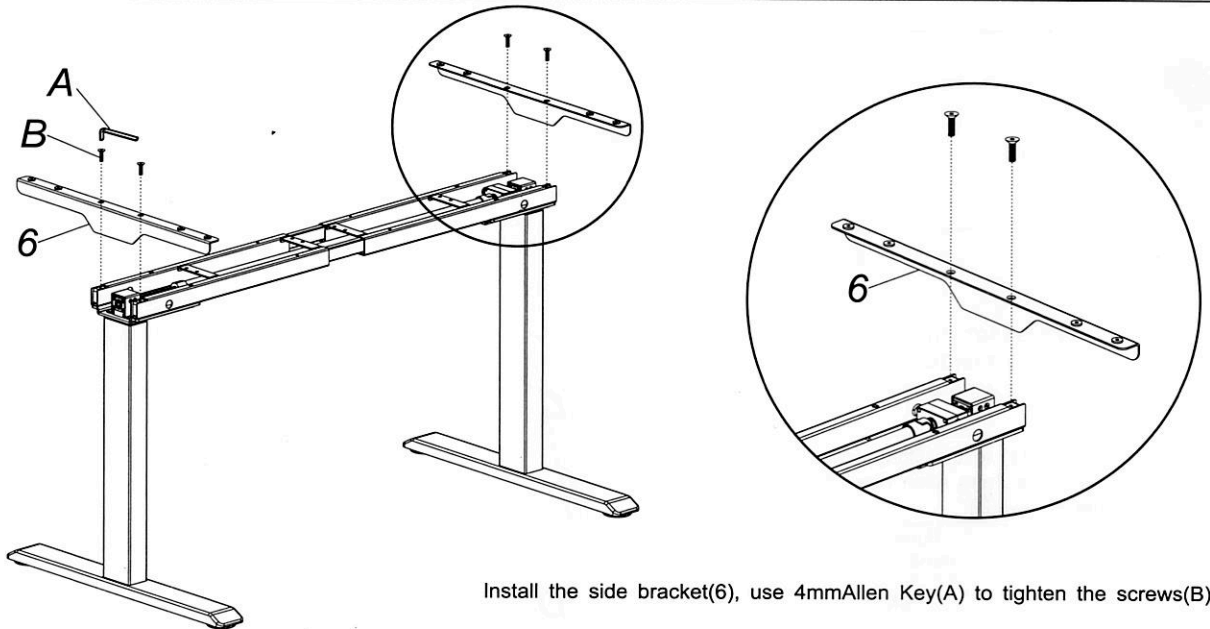
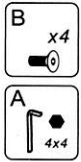
Tighten



Tighten

Insert the connecting rod (5) into the twocolumns (2)(3) after adjustment.

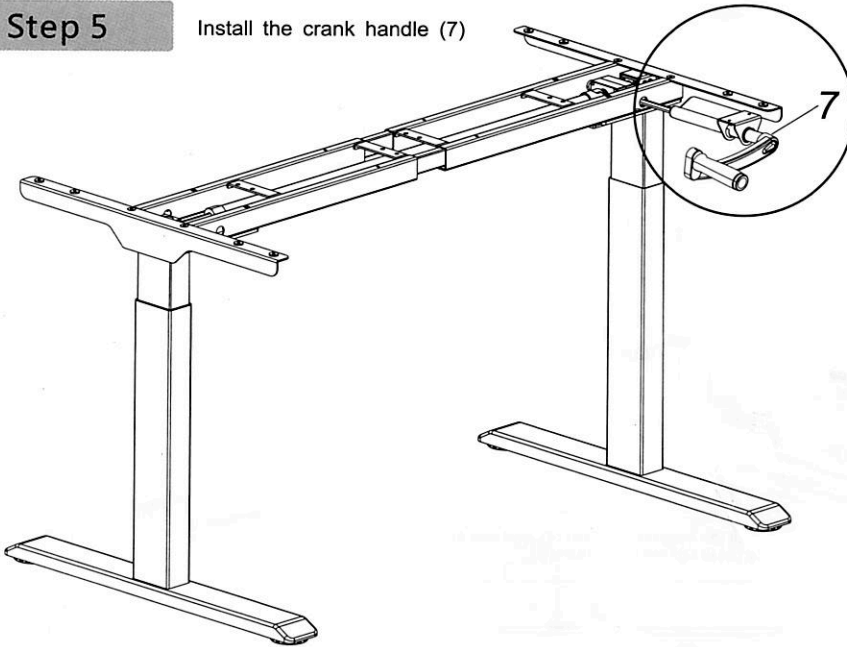
Step 4



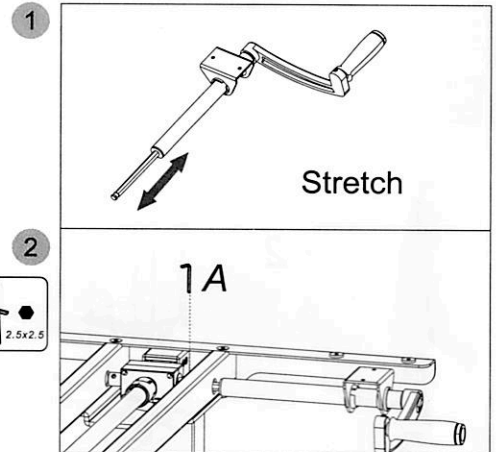
Install the side bracket(6), use 4mmAllen Key(A) to tighten the screws(B).

Step 5

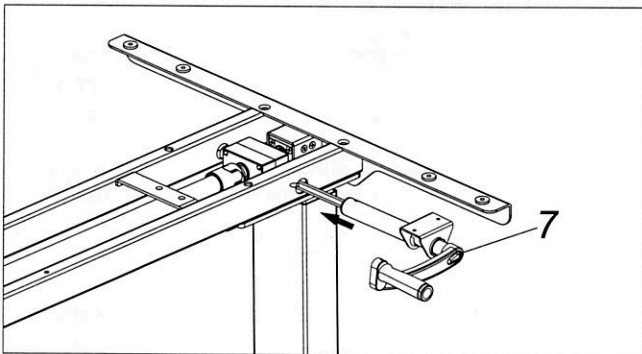
Install the crank handle (7)



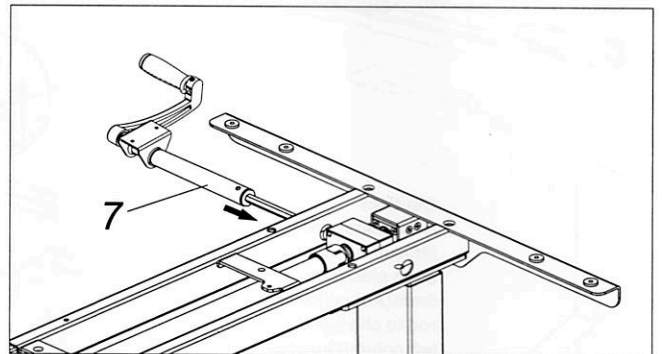
Adjust the crank handle (7) according to the width of the tabletop.



Option 1: Installed the handle on the right side of the table.



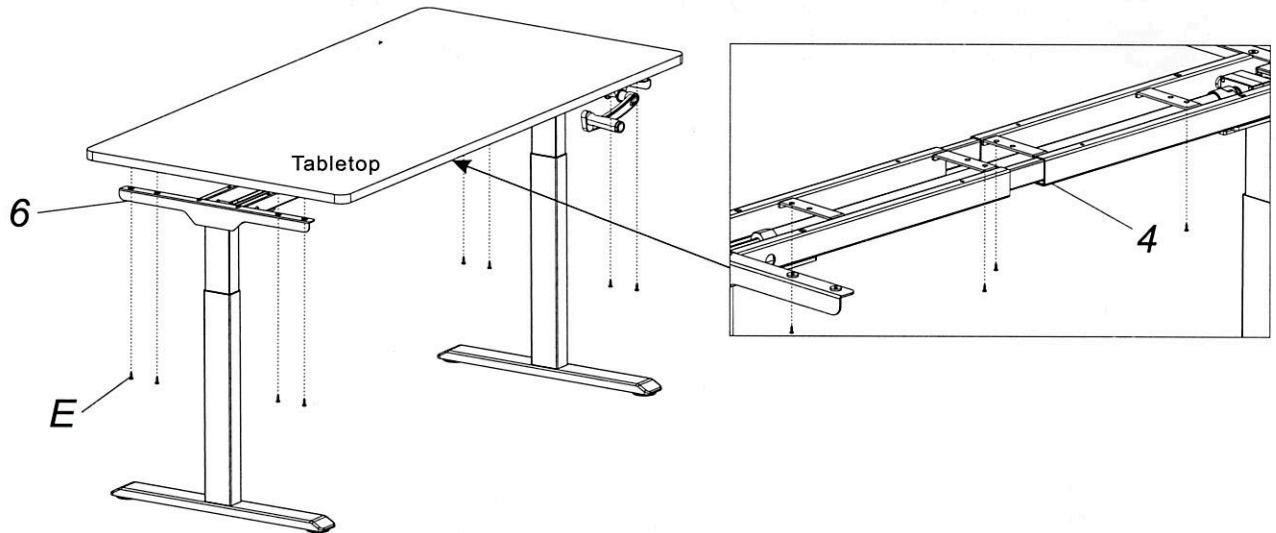
Option 2: Installed the handle on the left side of the table.



Step 6

Attach the tabletop to the side bracket (6) and the supporting beam(4).

E x12

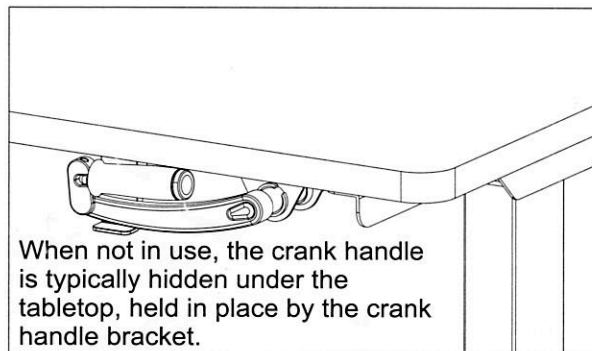
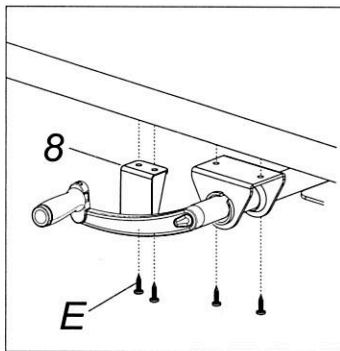


Step 7

E x4



Fold the crank handle as shown, use the crank handle bracket (8) to hold the crank handle, position the crank handle bracket (8), fix it on the tabletop with screws (E).



Warning

There's spare parts in the package, which will lead to asphyxia if swallowed by accident. Please keep out of the reach of children for the spare parts.

Make sure you have read and comprehend the manual for installation. Please contact the specialized persons if there's any confusion in the steps. Children are forbidden to play on the product because of unforeseen action when playing, so any dangerous consequences caused by this improper action will not be on This appliance can be used by children aged from 8 years and above and persons with reduced physical, sensory or mental capabilities or lack of experience and knowledge if they have been given supervision or instruction concerning use of the appliance in a safe way and understand the hazards involved. Children shall not play with the appliance.

Cleaning and user maintenance shall not be made by children without supervision. qualified person in order to avoid a hazard.

Please make sure there is no hazard sources in your operating environment. e.g., do not litter the tools around. Always be careful to treat the packaging materials in order to avoid any possible danger, e.g. plastic bag may lead to choking hazard to children.

Keep the original package of the equipment if necessary in case of the future use in transportation.